

## BV N10 - Tripod Turnstile, Box type.



**HUAI** Tripod turnstile is the simple type, with the lowest price in all type turnstiles. The most obvious feature is that only one person can pass at one time. And it supports standard tripod arm type 650mm and handicapped swing type 1100mm for wide passageway and pedestrian with large luggage can also pass.

**HUAI** tripod turnstile with unique design, stylish of modern and urbanisation cabinet, typical swipe card panel, attractive blue LED strip, solid body crate, brushed stainless steel and high-end black painting process.

**HUAI** tripods turnstile is fined welding, adopt Robot for weld to improve the high technological level. In case of emergency, tripod turnstile horizontal arms will drop down automatically to allow free passage when power off. It is suitable for areas with general pedestrian traffic (e.g.: Hotel, Gym, Building, Shopping mall, Reception Area and so on).

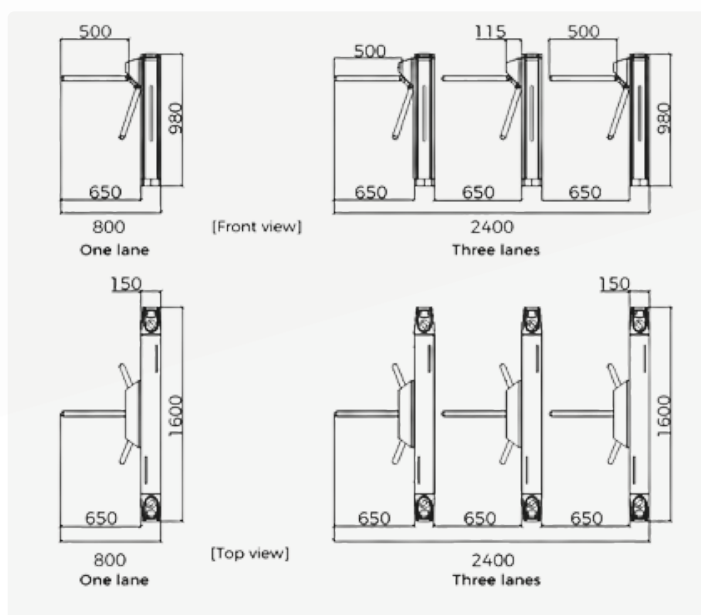
### KEY FEATURES.

- Long-life performance, high operation dependability and fast response.
- Single directional or Bi-directional is selectable.
- Automatic reset function: turnstile arm will lock automatically within 5s (can be set)
- When power is off, arms will drop down automatically
- LED indicator (red means no entry; green means entry; blue means normal close).
- It has standard relay signal, which can be integrated with
  - *RFID, Fingerprint and Biometric reader device & Access control Panel.*
- 3-year warranty support.



# Specifications

<b>Product name</b>	<b>BV N10 - Tripod Turnstiles, box design</b>
<b>Certifications</b>	<b>Compliance CE, ROHS</b>
<b>Communications</b>	<b>Dry contact, Relay signal, RS485</b>
<b>Framework Material</b>	<b>304 brushed stainless steel+ High end black painting</b>
<b>Arm material</b>	<b>1304 Stainless Steel</b>
<b>Dimension</b>	<b>1600 * 150 * 980mm</b>
<b>Net Weight</b>	<b>65kg/pcs</b>
<b>Passage Width</b>	<b>650mm (standard), 1100mm (People of determination)</b>
<b>Passing Direction</b>	<b>Single directional / Bi-directional</b>
<b>MCBF</b>	<b>9 million</b>
<b>Power Supply</b>	<b>AC220V/110V, 50/60Hz</b>
<b>Operation Voltage</b>	<b>24V DC</b>
<b>Power Consumption</b>	<b>20W</b>
<b>Operation Humidity</b>	<b>0 ~ 95% (No freeze)</b>
<b>Working Environment</b>	<b>Indoor / Outdoor (shelter)</b>
<b>Flow Rate</b>	<b>40 people per minute</b>
<b>LED Indicator</b>	<b>Unique blue LED strip (front+ top)</b>
<b>Emergency</b>	<b>Arms will drop down automatically</b>
<b>Flexibility</b>	<b>Integrate with any access control</b>
<b>Operation Temperature</b>	<b>-20 °C - 75 °C</b>



**HuAi**

11-345, Ground floor, The Centre,  
99 Queens Road Central, Hong Kong.